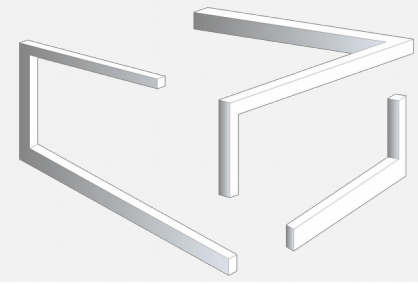
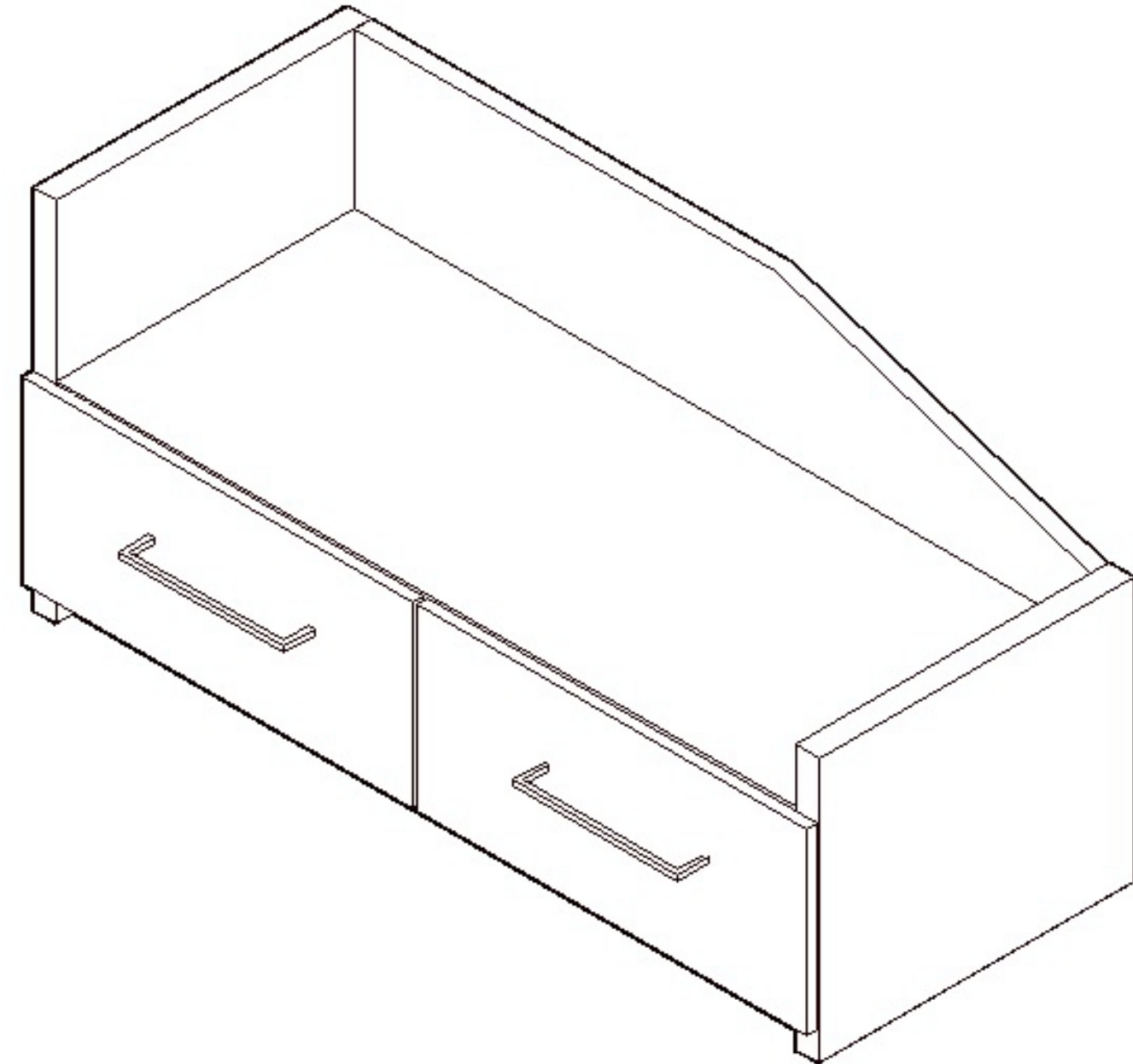


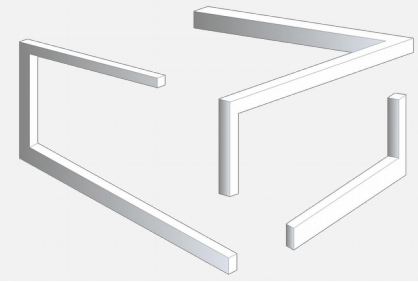
Custom furniture ready to cut in cnc Router



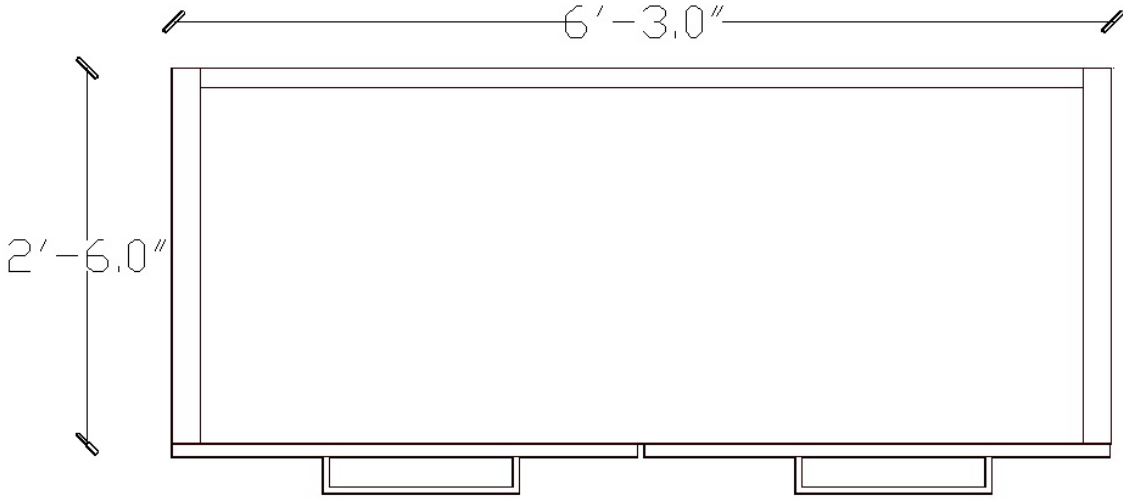
# Daybed



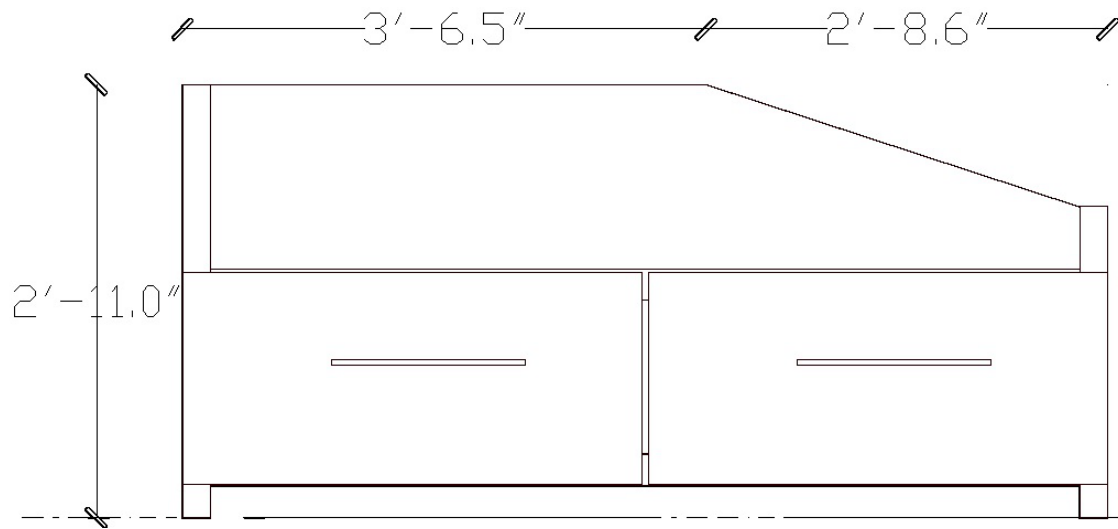
# Furniture dimensions



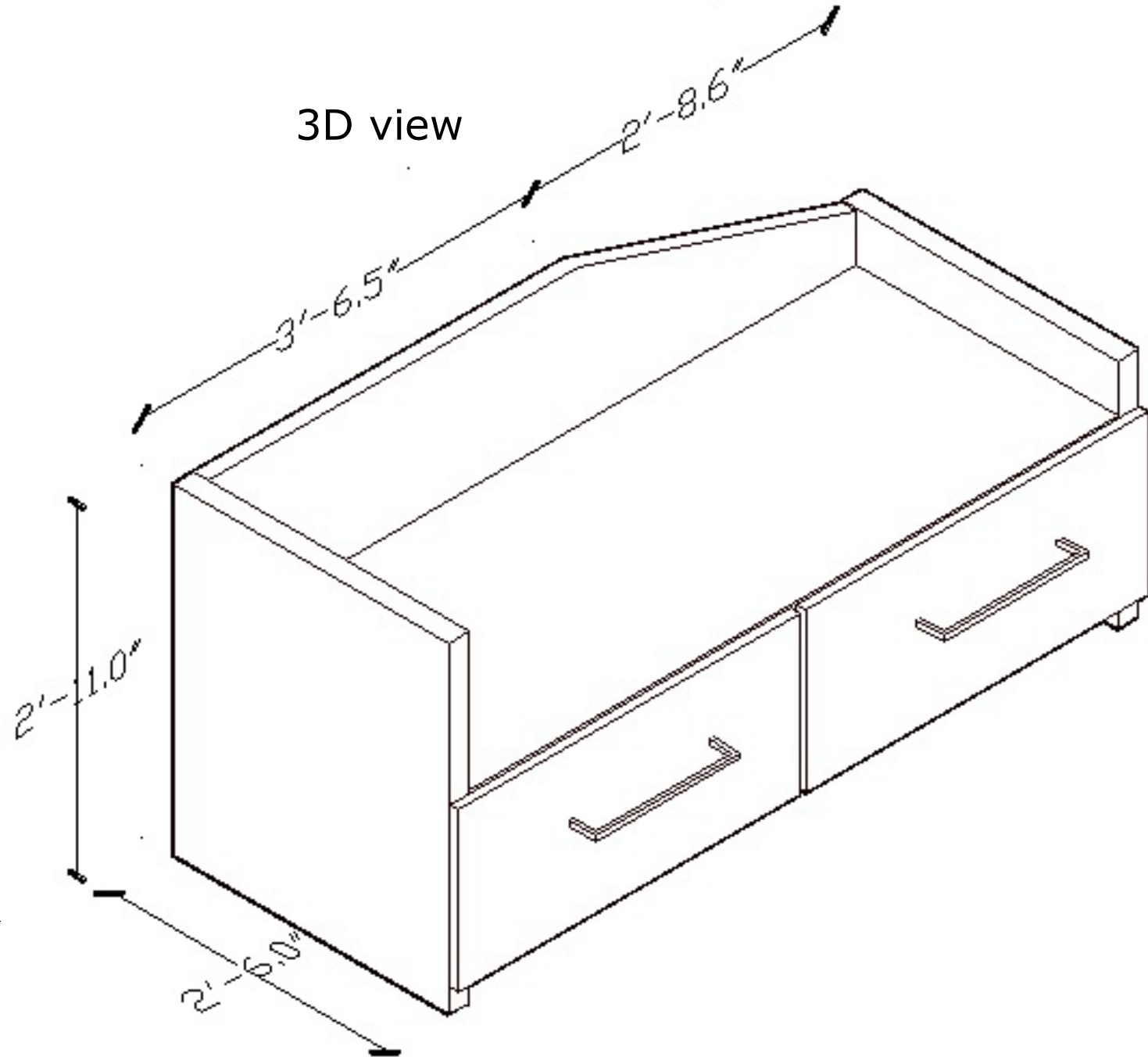
Top view

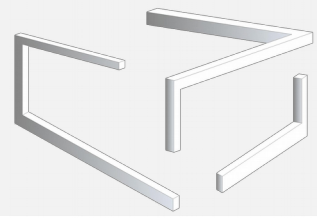


Front view



3D view





# Exploded view And components

